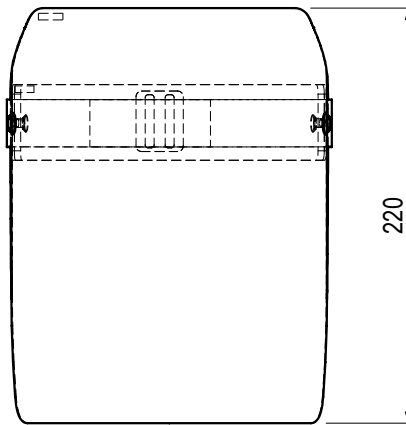
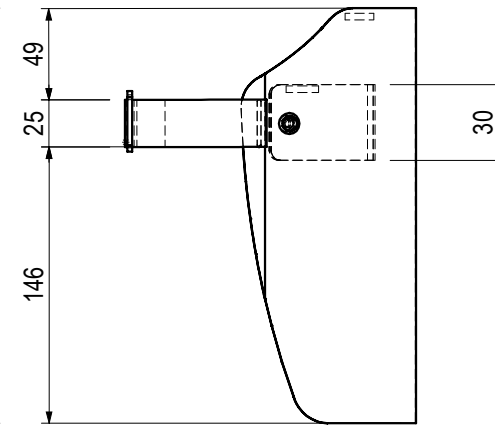


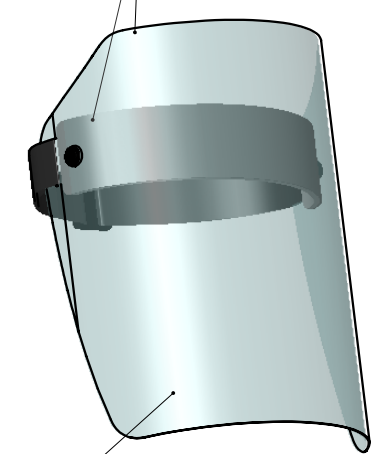
FRONT VIEW



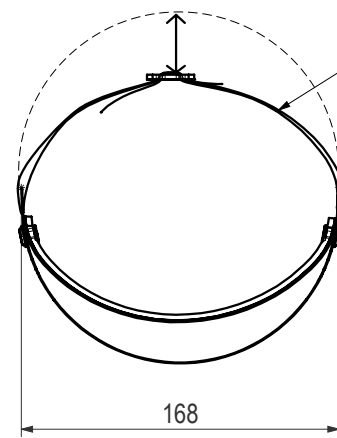
SIDE VIEW



MARCATURA CERTIFICAZIONE CE
CE CERTIFICATION MARKING



TOP VIEW



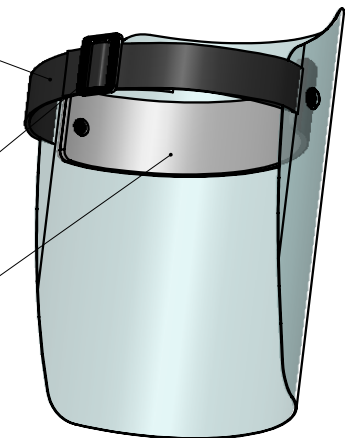
FASCIA ELASTICA REGOLABILE
ADJUSTABLE ELASTIC BAND

VISIERA ANTIRIFLESSO 0,5MM
0,5MM THICKNESS ANTI-REFLECTIVE VISOR

FASCIA ELASTICA REGOLABILE
ADJUSTABLE ELASTIC BAND

FIBBIA DI BLOCCAGGIO
BUCKLE

FRONTALINO IN SPUGNA MORBIDA
SOFT SPONGE FOREHEAD



DIMENSIONE VARIABILE
VARIABLE SIZE



Archimede Srl
via Lissaro 8/A
35030 Veggiano (PD)
T. 049 9003030
W. www.archimede.biz
C.F. / P.IVA 03606500282

PROJECT NR. 00000C00046	PROJECT DESCRIPTION VISIERA PROTETTIVA BM
PROJECT STEP PRODUCTION	PART DESCRIPTION COVID19 PROTECTIVE VISOR
DATE 01/04/2020	REVIEW

MATERIAL & SURFACE	SALES MANAGER BORTOLAMEI DANIEL
	FORMAT A4
	SCALE 1:4
	MASS 0.053

DRAWING NR 1/1

MEASURE UNIT
MILLIMETERS